



Engine	Perkins 854F-E34TAN
Gross Power	70 kW (94 hp / 95 ps) @ 2,200 rpm
Net Power	67 kW (90 hp / 91 ps) @ 2,200 rpm
Breakout Force	30 kN
Rated Operating Capacity	1,496 kg (3,300 lb)
Bucket Capacity	0.55 m ³
Operating Weight	5,190 kg

388B COMPACT TRACK LOADER

388B SPECIFICATIONS >>>

ENGINE

Emission Regulation	Tier 4f / Stage IV
Manufacturer	Perkins
Model	854F-E34TAN
Gross Power	70 kW (94 hp / 95 ps) @ 2,200 rpm
Net Power	67 kW (90 hp / 91 ps) @ 2,200 rpm
Peak Torque	395 N·m @ 1,400 rpm
Number of Cylinders	4
Displacement	3.4 L
Aspiration	Turbocharged charge air cooled

ELECTRICAL SYSTEM

System Voltage	12 V
Alternator Output	120 amps

HYDRAULIC SYSTEM

Working Hydrostatic Pressure	21 MPa
Traveling Hydrostatic Pressure	35 MPa
Hydraulic Cycle Time, Total	10.1 s
Raise	5.4 s
Dump	2.2 s
Lower (empty, float down)	2.5 s

PERFORMANCE

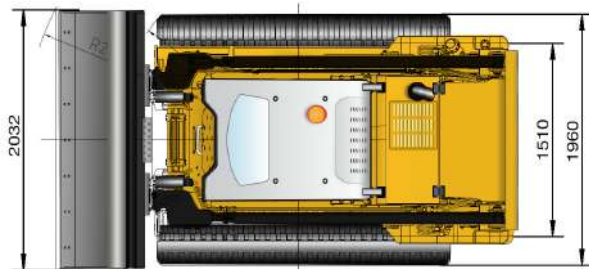
Lifting Mechanism	Vertical
Rated Operating Capacity, 35% Tipping	1,496 kg (3,300 lb)
Rated Operating Capacity, 50% Tipping	2,138 kg (4,714 lb)
Tipping Load (ISO 14397-1)	4,276 kg
Travel Speed	8/16 kph
System Flow (Low/High)	96.8/136 L/min
Bucket Breakout Force	30 kN
Arm Breakout Force	31.6 kN
Traction Force	47.5 kN

OPERATING WEIGHT

Operating Weight	5,190 kg
------------------	----------

TRACK & CHASSIS

Track on Ground	1,726 mm
Shoe Width	450 mm
Ground Pressure	29 kPa
Track Size	450-86-60



DIMENSIONS

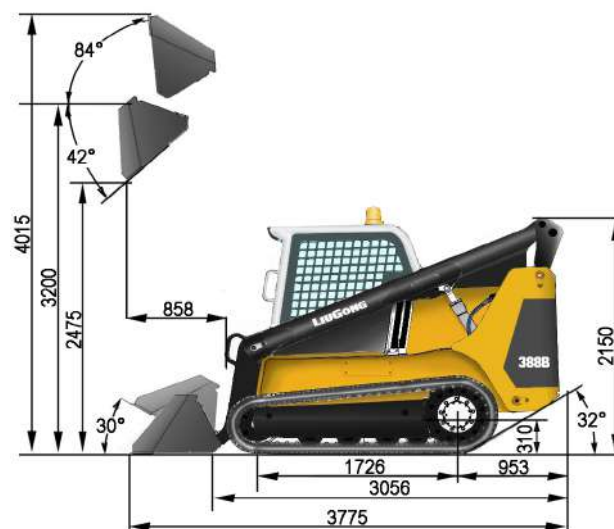
Overall Length w/ Bucket	3,775 mm
Length w/o Bucket	3,056 mm
Bucket Width	2,032 mm
Overall Width w/o Bucket	1,960 mm
Overall Height	2,150 mm
Maximum Hinge Pin Height	3,200 mm
Dump Clearance at Full Height Discharge	2,475 mm
Maximum Dump Angle at Full Height	42°
Dump Reach at Full Height Discharge	858 mm
Track Gauge	1,510 mm
Maximum Working Height	4,015 mm
Angle of Departure	32°
Ground Clearance	310 mm
Bucket Rollback at Ground Level	30°
Front Clearance Radius w/ bucket	2,198 mm
Front Clearance Radius w/o bucket	1,472 mm

SERVICE CAPACITIES

Fuel Tank	108 L
Engine Oil	8 L
Cooling System	10 L
Hydraulic Reservoir	53 L
Hydraulic System Total	70 L
Urea Tank	19 L
Reducer, Each	1.9 L

OPTIONAL ATTACHMENTS

4 in 1 Bucket – 0.5 m ³	Auger
Rock Bucket – 0.4 m ³	Cold Planer
Scrap Bucket – 350 mm to 650 mm	Snow Blade
Hydraulic Hammer	Pick-up Sweeper
Fork	Hydraulic Shear
Lift Boom	



Guangxi Liugong Machinery Co., Ltd.

No. 1 Liutai Road, Liuzhou, Guangxi 545007, KHP

Представительство LiuGong в Армении т.: +(374) 98 90 90 97 | +(374) 10 43 44 77 | email: specmashllc@mail.ru | specmash.am

03/2020 Designed by LiuGong
Replace the previous versions of 03/2019

Specifications and designs are subject to change without notice. Machines shown may include optional equipment. LiuGong standard and optional equipment may vary from region to region. Please consult your LiuGong dealer for information specific to your area. Engine power kW is converted to horsepower (1 kW=1.3596 ps and 1 kW=1.3410 hp) in this file.